

RIVKLE® Standard blind rivet studs

Advantages of RIVKLE® blind rivet studs

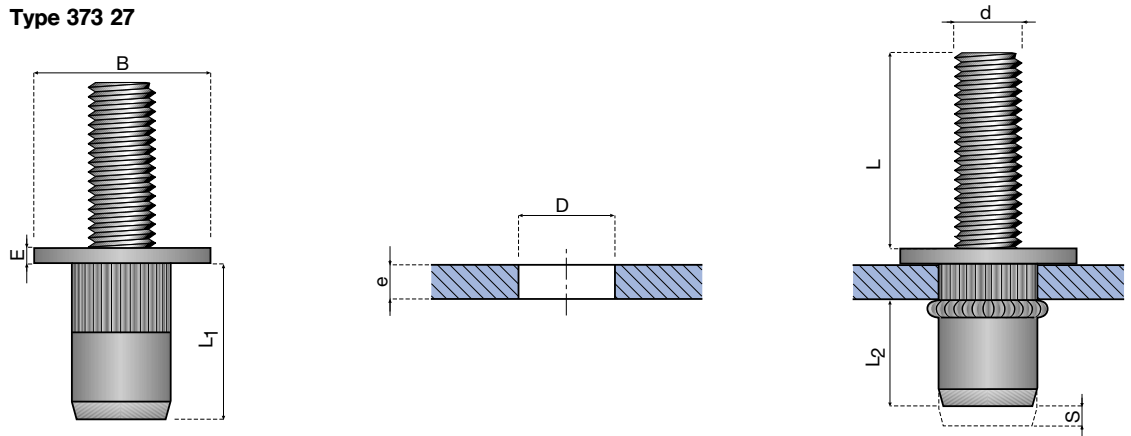
RIVKLE® blind rivet studs allow the supported component to be prepositioned on the supporting part. This is particularly useful for heavy or large components or where the mountings are hidden.

These fastenings offer all the advantages of the other RIVKLE® ranges, i.e. ease and economy of installation, flexibility and environmental sustainability (see page 6).

Examples of applications

Refrigeration plant, ventilation systems, air conditioning equipment, securing panels and hoses to vehicle chassis, rails in switch cabinets, exhausts or electrical components in motor vehicles.

Type 373 27



d	Thickness e	Hole $D^{+0.1/0}$	B	E	S*	L	L ₁	L ₂ *	B 72 100 Product code
M5	0.5 – 3	7	10	1	S = 4.7-e	15	11	5.5	3732 705 0115
	0.5 – 3	7	10	1	S = 4.7-e	20	11	5.5	3732 705 0120
	0.5 – 3	7	10	1	S = 4.7-e	25	11	5.5	3732 705 0125
M6	0.5 – 3	9	13	1.5	S = 5.4-e	15	13	7.5	3732 706 0115
	0.5 – 3	9	13	1.5	S = 5.4-e	20	13	7.5	3732 706 0120
	0.5 – 3	9	13	1.5	S = 5.4-e	25	13	7.5	3732 706 0125
M8	0.5 – 3	11	16	1.5	S = 5.4-e	20	14	8.5	3732 708 0120
	0.5 – 3	11	16	1.5	S = 5.4-e	25	14	8.5	3732 708 0125

* Dimensions S and L₂ are indicative values. The difference in length S depends on the material thickness and is used as the setting tool stroke.
Dimensions in mm.

The setting process

