

Coupling

SNAPLOC® couplings are available in three basic designs. They vary in the type of fastening:

- Couplings for mounting dome with collar
- Couplings for mounting dome without collar
- Couplings for plate fastening

Four product variants are currently available which are defined through the characteristic main feature of the ball stud: the ball head diameters in 7, 8, 10 and 15 mm.

The following parameters are variable – external diameter, collar, collar depth, material, colour and their special designs.

The couplings may be combined, in all ways, with the ball stud designs within one ball diameter.



SNAPLOC® couplings for mounting dome

The couplings for mounting domes are designed so that they can be inserted automatically or manually into the corresponding locating holes, without requiring any additional tools. Thus, manual and automatic assembly is possible within a very short time.

The couplings are available with or without a collar.

Couplings with a collar are primarily designed for the fastening in mounting domes, but could be also fastened in plates. Due to the component geometry, an open bore is preferable.

Example: view of installation and assembled condition



Sales@RivetNutUSA.com

*Request your quote with Rivet Nut USA (an operating division of Cardinal Components, Inc.)
Cardinal Components, Inc. is your authorized preferred specialty fastener distributor.*

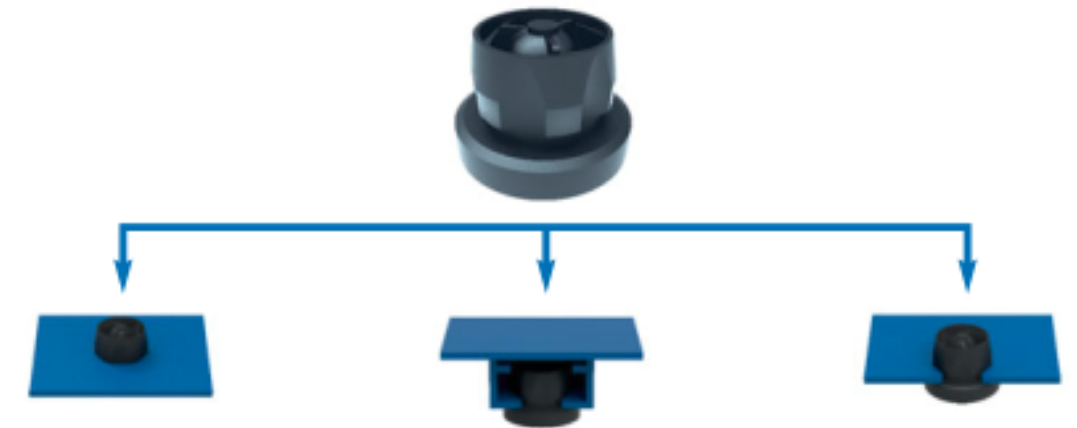
ISO 9001 CERTIFIED
www.RivetNutUSA.com
(800) 236-3200

NEW

SNAPLOC® couplings with multi-retainer

Advantage of the universal mounting geometry: simply being pushed in axial direction or inserted from side into the mounting. Due to the new special part geometry of the couplings, new standards are set regarding the ease of assembly.

The benefit is the possible fastening in mounting domes (side insertion) as well as in plate fastenings (easy push-in).



SNAPLOC® silicone couplings

Silicone couplings (VMQ) are used for applications with special requirements on temperature resistance.

By the use of solid silicone, higher continuous operating temperatures (up to 180 °C) can be achieved compared to couplings made of thermoplastic elastomer or EPDM. Moreover, solid silicone couplings show constant material characteristic on the temperature range (see page 10).



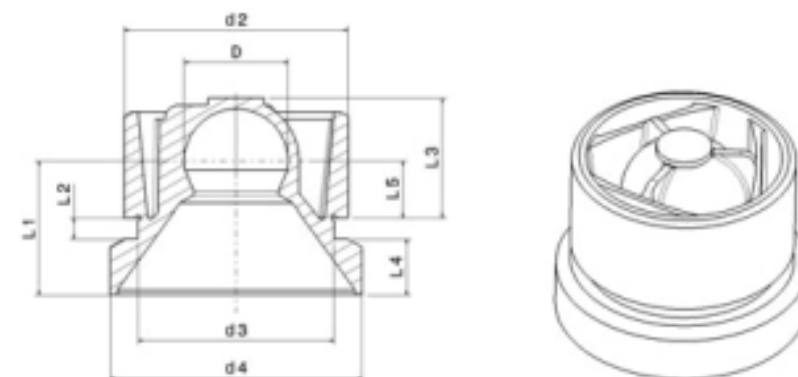
Sales@RivetNutUSA.com

*Request your quote with Rivet Nut USA (an operating division of Cardinal Components, Inc.)
Cardinal Components, Inc. is your authorized preferred specialty fastener distributor.*

ISO 9001 CERTIFIED
www.RivetNutUSA.com
(800) 236-3200

SNAPLOC® Technical information

Couplings with collar for mounting dome



Part number	Design	Ball Ø D	Outer Ø d2	Mounting hole Ø d3	Collar Ø d4	Depth (to ball center L1)	Wall thickness L2	Mounted depth L3	Collar depth L4	Depth L5	Material	Shore hardness	Thread surface
4040 100 2324	collared	10	24	22	32	16	3	12	7	6	EPDM-X+PP	59 Shore A	black
4040 100 3024	collared	10	24	22	32	16	3	12	7	6	EPDM-X+PP	78 Shore A	black
4040 101 3024	collared	10	24	22	32	16	3	12	7	6	EPDM-X+PP	86 Shore A	black
4040 010 0012	collared	10	26	22	32	16	3	12	7	6	EPDM-X+PP	78 Shore A	black
4050 015 0040	collared	15	31.5	27	34	26	3-3.5	approx. 17.7	3.5	8	EPDM-X+PP	86 Shore A	black
4040 150 3032	collared	15	32	28	36	19	3	15	8	8	EPDM-X+PP	78 Shore A	black
4040 153 3032	collared	15	32	28	36	19	3	15	8	8	EPDM-X+PP	93 Shore A	black

Coupling with collar for mounting dome
High temperature applications

Part number	Design	Ball Ø D	Outer Ø d2	Mounting hole Ø d3	Collar Ø d4	Depth (to ball center L1)	Wall thickness L2	Mounted depth L3	Collar depth L4	Depth L5	Material	Shore hardness	Thread surface
4040 010 0030	collared	10	24	22	32	16	3	12	7	6	EPDM peroxide	70 Shore A	black

Sales@RivetNutUSA.com

Request your quote with Rivet Nut USA (an operating division of Cardinal Components, Inc.)
Cardinal Components, Inc. is your authorized preferred specialty fastener distributor.

ISO 9001 CERTIFIED
www.RivetNutUSA.com
(800) 236-3200

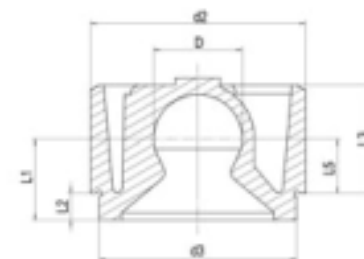
Sales@RivetNutUSA.com

Request your quote with Rivet Nut USA (an operating division of Cardinal Components, Inc.)
Cardinal Components, Inc. is your authorized preferred specialty fastener distributor.

ISO 9001 CERTIFIED
www.RivetNutUSA.com
(800) 236-3200

SNAPLOC® Technical information

Couplings with collar for mounting dome



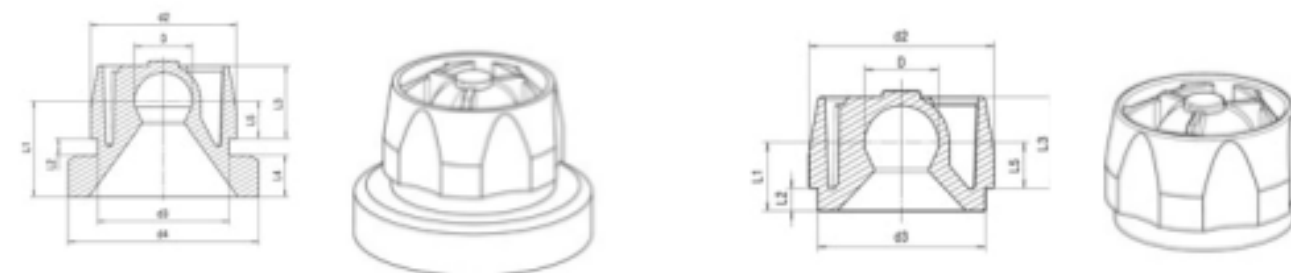
Part number	Design	Ball Ø D	Outer Ø d2	Mounting hole Ø d3	Collar Ø d4	Depth (to ball center L1)	Wall thickness L2	Mounted depth L3	Collar depth L4	Depth L5	Material	Shore hardness	Thread surface
4041 080 3018	collarless	8	18	14	-	7.9	3	10	-	4.9	EPDM-X+PP	78 Shore A	black
4041 100 3024	collarless	10	24	22	-	9	3	12	-	6	EPDM-X+PP	78 Shore A	black
4041 101 3024	collarless	10	24	22	-	9	3	12	-	6	EPDM-X+PP	86 Shore A	black
4041 152 3032	collarless	15	32	28	-	11	3	15	-	8	EPDM-X+PP	59 Shore A	black
4041 150 3032	collarless	15	32	28	-	11	3	15	-	8	EPDM-X+PP	78 Shore A	black

Couplings without collar for mounting dome
High temperature applications

Part number	Design	Ball Ø D	Outer Ø d2	Mounting hole Ø d3	Collar Ø d4	Depth (to ball center L1)	Wall thickness L2	Mounted depth L3	Collar depth L4	Depth L5	Material	Shore hardness	Thread surface
4040 010 0031	collarless	10	24	22	-	9	3	12	-	6	EPDM peroxide	70 Shore A	black
4040 015 0010	collarless	15	40	36	-	21	3	18	-	16	EPDM peroxide	70 Shore A	black
4040 015 0032	collarless	15	32	28	-	10.3	3	15	-	7.3	VMQ	60 Shore A	grey

SNAPLOC® Technical information

Couplings with multi-retainer



Part number	Design	Ball Ø D	Outer Ø d2	Mounting hole Ø d3	Collar Ø d4	Depth (to ball center L1)	Wall thickness L2	Mounted depth L3	Collar depth L4	Depth L5	Material	Shore hardness	Thread surface
4049 010 0034	collarless	10	24.5	22.1	–	9	2–3	12	–	6	EPDM peroxide	70 Shore A	black
4049 010 0035	collarless	10	24.5	22.1	–	9	2–3	12	–	6	VMQ	70 Shore A	black
4049 010 0036	collared	10	24.5	22.1	32	16	3	12.15	6.85	6.15	EPDM peroxide	70 Shore A	black
4049 010 0037	collared	10	24.5	22.1	32	16	3	12.15	6.85	6.15	VMQ	70 Shore A	black

Sales@RivetNutUSA.com

*Request your quote with Rivet Nut USA (an operating division of Cardinal Components, Inc.)
Cardinal Components, Inc. is your authorized preferred specialty fastener distributor.*

ISO 9001 CERTIFIED
www.RivetNutUSA.com
(800) 236-3200

Sales@RivetNutUSA.com

*Request your quote with Rivet Nut USA (an operating division of Cardinal Components, Inc.)
Cardinal Components, Inc. is your authorized preferred specialty fastener distributor.*

ISO 9001 CERTIFIED
www.RivetNutUSA.com
(800) 236-3200