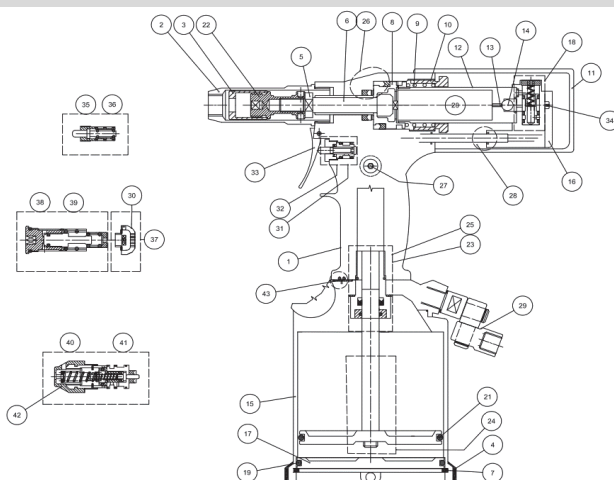
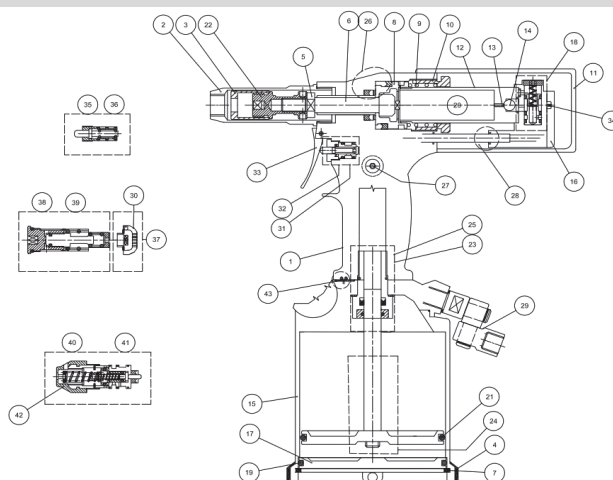


**Rivet Nut USA 9043 | RIV943 Ricambi - Spare parts**  
**Pneumatic Pull-to-Pressure / Pull-to-Stroke Tool**



Rif. Ref.	Codice Code	Descrizione	Description
	<b>6568800</b>	RIV943-Rivettatrice oleop.x inserti c/cass.s/kit	RIV943-Hydrop. tool for inserts in box w/out kit
1	6609400	RIV943 Corpo impugnatura	RIV943 Handle casing
2	3539900	Cono esterno	Outer cone
3	3540000	RIV942/RIV912-Ghiera M3-M10	RIV942-Ring nut M3-M10
4	3066600	Base in gomma	RIV508-943 Rubber base
5	4092300	RIV942-Dado	RIV942-Nut
6	6609500	RIV943 Perno rotazione	RIV943 Rotating pin
7	3066500	RIV508/942/943 -Seeger	RIV508/942/943 - Snap ring
8	6609600	RIV943 Pistone olio	RIV943 Oil piston
9	4151700	Molla ritorno pistone	Spring RIV938/938S/938R/941
10	6609700	RIV943 Ghiera corsa	RIV943-Stroke adj. ring nut
11	6609800	RIV943 Protezione aperta	RIV 943 Open protective cover
12	4803000	Corpo Motore	Motor Casing RIV938P/RIV939P/RIV943
13	4426700	Asta	RIV938SP-Stem
14	3096900	Sfera	Ball
15	6609900	RIV943 Corpo aria	RIV 943 Air body
16	6598700	Kit distributore 4 pezzi	4 piece distributor kit
17	3066300	RIV508/942-Fondello	RIV508/942-Bottom
18	6598800	Kit distributore 8 pezzi	8 piece distributor kit
19	3066400	RIV508/942-O-ring	RIV508/942/943 -O-ring
20	3761000	Gruppo Motore	Motor unit RIV938/938S/938R/941/996/943
21	3066100	RIV508/942/943-Or	RIV508/942/943-O-ring
22	4092800	RIV943-Attacco vite senza OR	RIV/943-Screw connection without OR
23	4177400	Kit guarnizione 3 pz	Gasket kit 3 pieces RIV938/938S/938R/941/943
24	6611400	RIV943 Kit Pistone Stelo Or 4pz	RIV943 Piston stem OR kit 4 pieces
25	4157300	Kit guida stelo completa 5pz	Complete stem guide kit 5 pieces
26	4092700	RIV942/943-Guarnizione olio 2 pz	RIV942/943-Oil gasket 2 pieces
27	4175700	Kit tappo olio con Or	Oil cap kit with o-ring
28	6611500	RIV943 Kit tubi + OR 6pz	RIV943 Air hoses kit with OR 6 pieces
29	6611600	RIV943 Att aria snod.filetto 1/4"+1/4"gas+rond.Alu	RIV943 Supple air connection thread 1/4"+1/4" Gas + aluminium washer
30	4412900	RIV938/938S/941-Deflettore + grano	RIV938/938S/941-Deflector+hex socket screw
31	6605800	Kit Or Pulsante (4 pz)	Kit Or Button (4 pcs) RIV938/939/938P/939P/943
32	6605900	Kit completo pulsante 7 pz	Kit complete with O-ring 7 pieces RIV938/938S/938R/943
33	4153400	Kit leva - spina	Lever - pin kit RIV938/938S/938R/941

**Rivet Nut USA 9043 | RIV943 Ricambi - Spare parts**  
**Pneumatic Pull-to-Pressure / Pull-to-Stroke Tool**



Rif. Ref.	Codice Code	Descrizione	Description	
34	6611700	RIV943 Kit viti fissaggio distributore 2pz	RIV943 Kit screws 2 pieces	
35	4157000	Kit completo con Or 8 pz	Kit comp with O-ring 8 pieces RIV938/938S/938R/943	
36	4156600	Kit Or 5pz	O-ring kit 5 pieces RIV938/938S/938R/941	
37	4291600	Kit deflettore 3pz	Baffle kit 3 pieces RIV938/938S/938R/943	
38	4155800	Kit Or 7 pz	O-ring kit 7 pieces RIV938/938S/938R/941	
39	4157100	Kit completo con Or 13 pz	Kit complete with O-ring 13 pieces	
40	4154400	Kit guarnizioni 7 pz	Gasket kit 7 pieces RIV938/938S/938R/941	
41	6611800	RIV943 Kit completo 18pz pressostato	RIV943 Kit complete 18 pieces	
42	4412100	RIV938-Protezione regolazione pressostato	RIV938-Protection for pressure switch regulation	
43	4152300	Kit guarnizione piana + Or	Flat gasket kit + O-ring RIV938/938S/938R/941/943	